

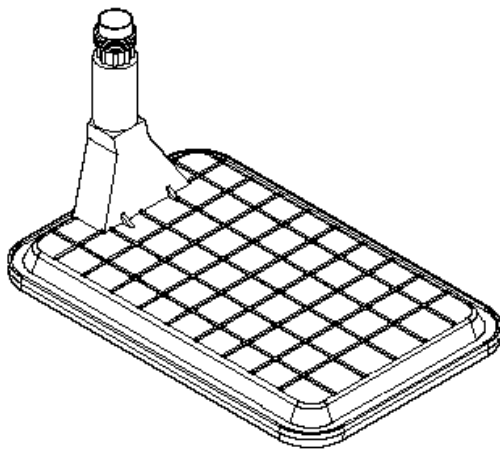


3-5-04
PML Inc.
201 West Beach Ave.
Inglewood, CA 90302

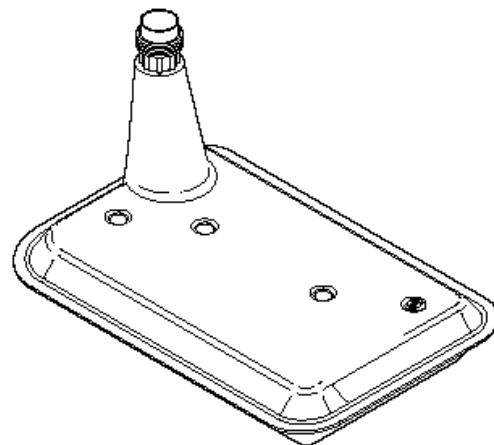
Dear Allison Transmission Pan Customer,

Your new transmission pan can be used with two different filters. The one that came with your truck from the factory, and a deeper filter that you can purchase through Allison. As your pan is now, it is set up for your OEM filter. If you want to use the deeper Allison filter, you need to grind the filter support fingers in the floor of the pan down to the step. Once this is done, you must use the deeper filter from then on.

Please see the images below for details:



Old Style OEM Shallow Filter
Part #29537514



Allison Deep Filter
Part #29537966

The revised Allison part # for the OEM style filter is 29537965. The advantage of the deeper filter is that it draws oil closer to the bottom of the pan.

Regards,

David Tolin
PML Inc.
(800) 335-4345

All PML products are designed and manufactured in the United States