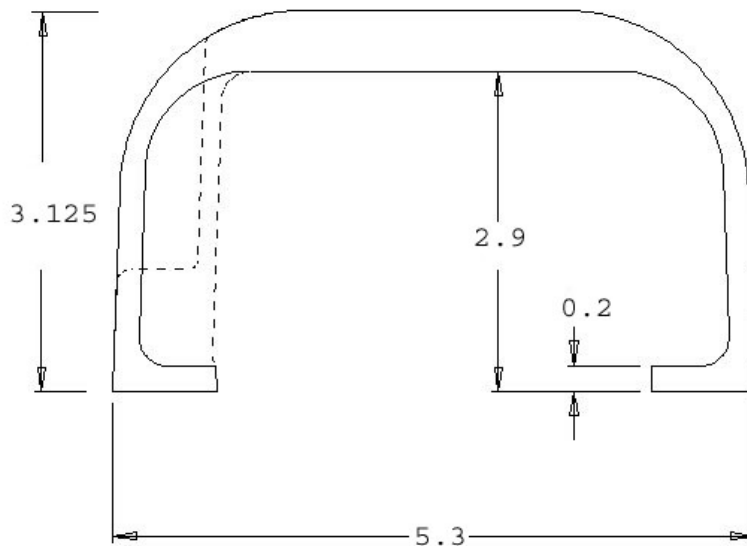


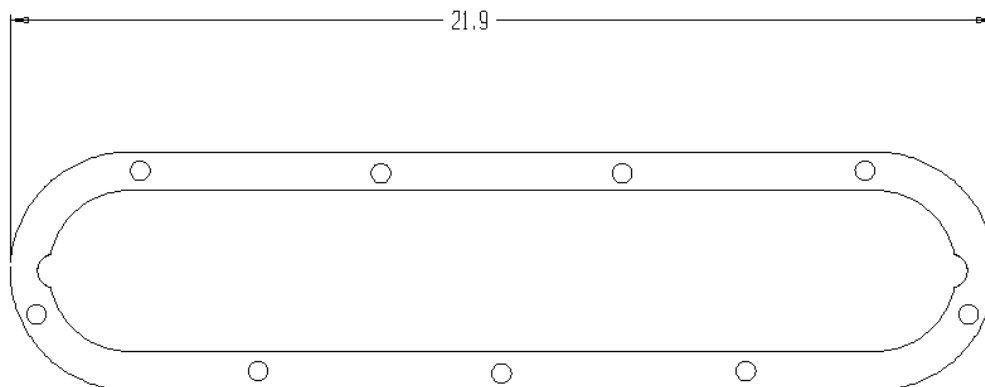
Cadillac® 368, 425, 472 & 500 Valve Covers by PML

DIMENSIONS

These are the dimensions for PML Cadillac valve covers, flattop and dogbone styles. These are part numbers 7872-1, 7872-2, 7872-3, 7872-4, 7872-5, 7872-8.



Top thickness at boss: 0.470 in



For 7872-8, the raised script is 0.200" above the top surface.